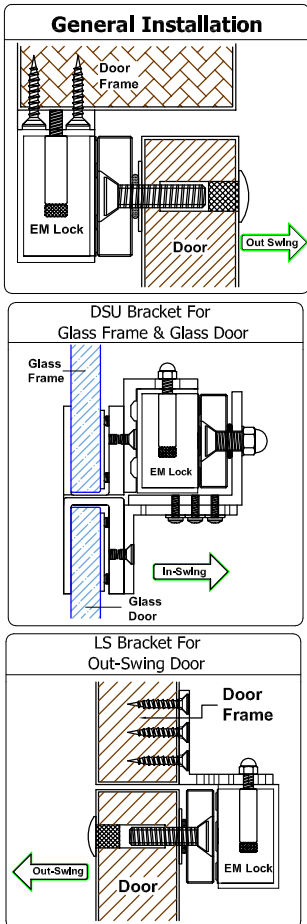
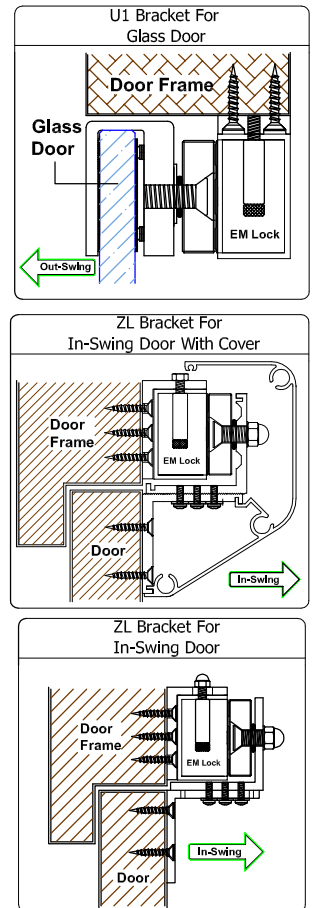
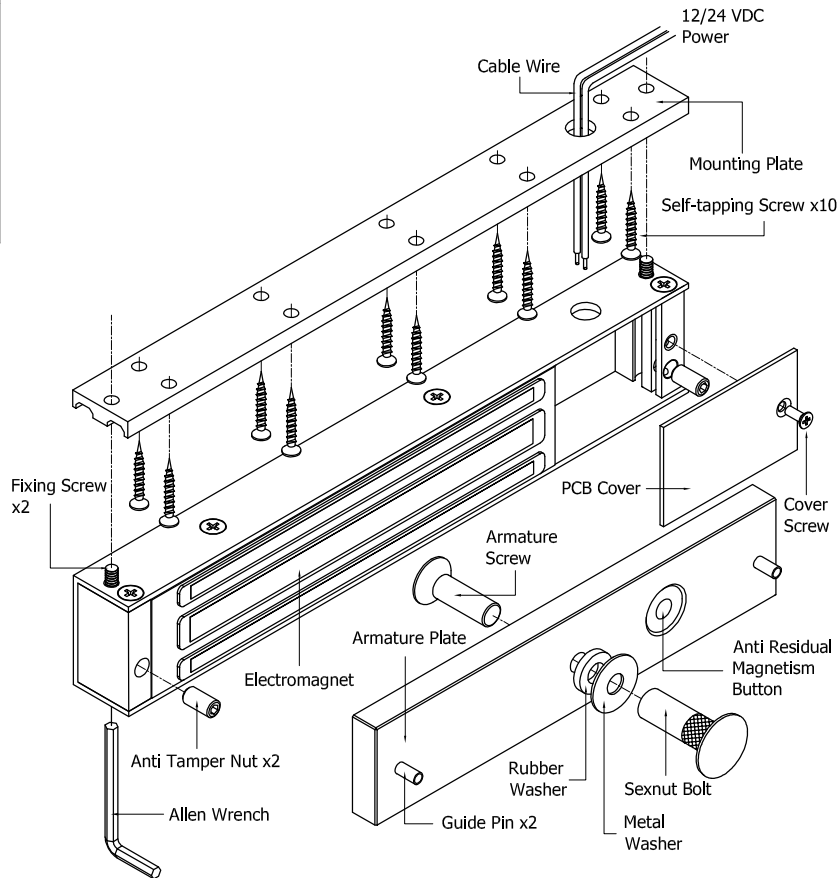


Electromagnetic Lock Installation User Guide



Basic Installation Concept & Accessories

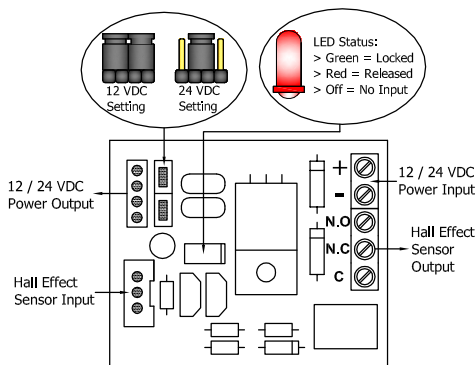


General Installation Steps & Maintenance

1. Drill the armature plate holes in the door using the sticker template provided.
2. Attach the armature plate to the door with the hardware provided per the illustration.
3. With the door closed, mark the door frame at the edge of the armature in order to properly align the electromagnet to the armature.
4. Attach the mounting plate to the door frame using the self-tapping screws provided. Align the mounting plate with the mark from the previous instruction.
5. Insert the wires through the hole in the mounting plate and into the electromagnet unit. Attach the electromagnet unit to the mounting plate with the Allen head fixing screw.
6. Screw in the anti-tamper nuts to prevent unauthorized access and to prevent the fixing screw from loosening over time.
7. Connect the power wires according to the instruction and test the system.
8. It is recommended that you apply a light coat of silicon lubricant to the mating surface on a monthly basis to prevent rust.

Trouble Shooting

- Sensor not functioning - Improper attachment of electromagnet and armature
 - Modification of the PCB
- Door not locked - Incorrect wiring or no power from power supply
- Reduced holding force - Poor contact of electromagnet and armature.
 - Be sure armature is loose enough that it can fully contact electromagnet along the entire length.
 - Mating surface is dusty or damaged.
 - Improper input voltage or wire size.

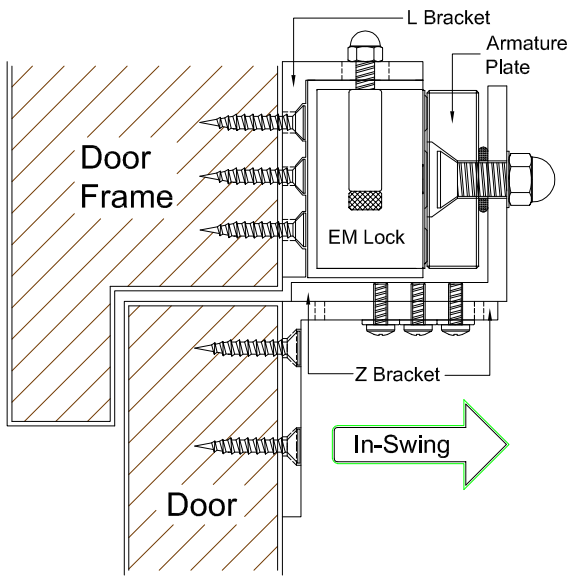


IMPORTANT!

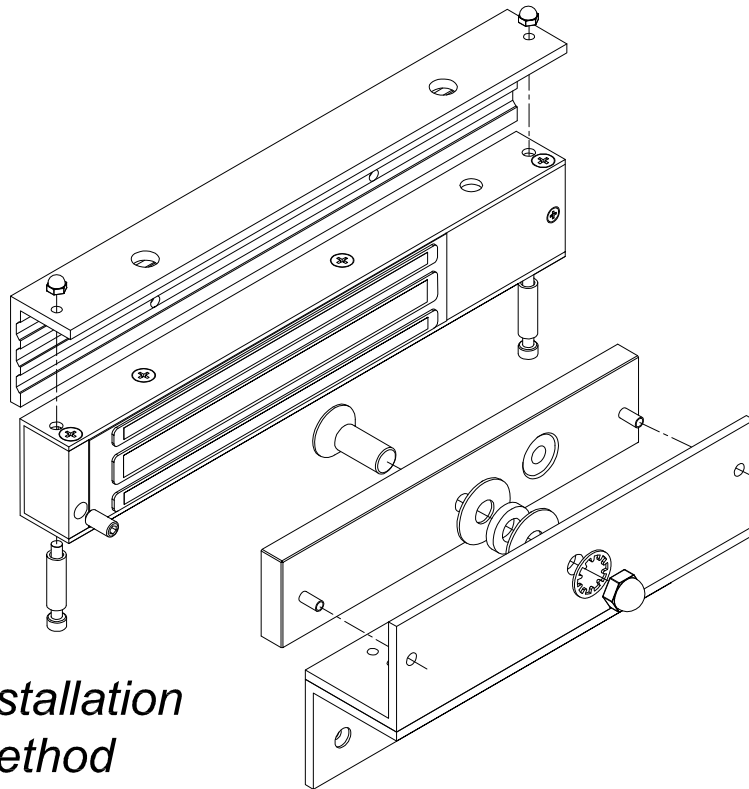
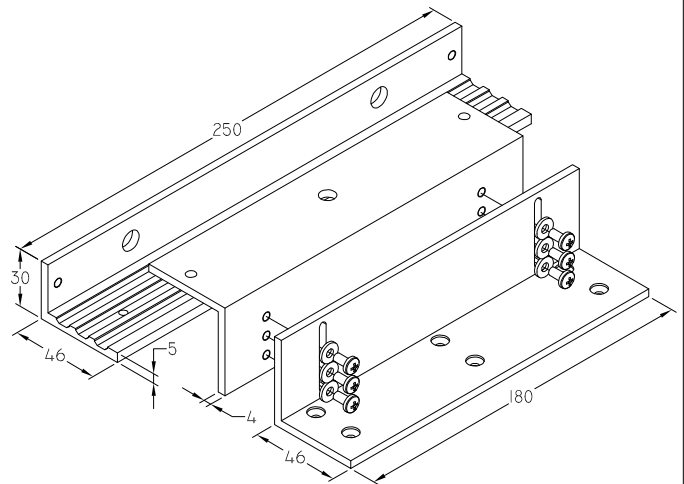
Set the jumper position according to the power input correctly before switching ON the power.

ZL Bracket

Bracket Application



Specifications (Unit = mm)



*Installation
Method*